

SecuFix/SecuFix2



Extended anti-theft device for your valuable modules!

- can be refitted anytime
- almost unbreakable
- unrivaled value for money

Ordinary anti-theft systems work on the basis of special screws that have to be mounted using special tools and have to be made part of the planning right from the start. Nowadays, hardware stores offer special tools for all kinds of special screws!



Schletter SecuFix

The SecuFix system is easy to work with, can be refitted anytime and can only be uninstalled with an electric tool and with a certain time expenditure. And this is how it works: On request, we can deliver you quality steel balls with the exact diameter for regular socket head screws. After the putting into operation of the plant (when you are sure that no bolted connections have to be opened up again), you secure all screws by hammering in the SecuFix steel balls - and that's it! Of course, SecuFix steel balls are applicable for pitched roofs, flat roofs and solar plants in open areas!



The screw cannot be unscrewed using normal tools!
Due to the very narrow middle clamp, a loosening of the screw using pliers is not possible either.



Unscrewing (for example in case of a module defect):
Cut in a slot and loosen the screw using a big screw driver.

SecuFix tool

The SecuFix tool is a simple tool that allows a swift and simple hammering of the SecuFix balls into the M8 socket heads of the socket head screws of the module clamps.

For weight reasons, it is partly made of aluminum and therefore should be handled with a certain care. It should only be used with a plastic hammer.



Item number 182001-000 for socket head screw M8 →
Item number 182001-001 for Torx screw M8 →

- For charging, pull the pounder out of the tool and **fill the steel balls into the tool, but not more than 12.**
- It has to be made sure that all steel balls roll into the small hole at the bottom. If necessary, incline and shake the tool a bit.
- Reinsert the pounder carefully, harsh handling can press steel balls out at the bottom of the tool.
- Apply the tool with the lower milling groove on the screw, align it axially to it and hammer in the steel ball with medium force (using a plastic hammer).
- For weight reasons, the head of the pounder is made of aluminum. The use of a steel hammer would lead to burr formation which in turn would result in a blocking of the tool and also in an increased risk of injury.
- Keep the tool clean. Sand, metal cuttings and other kinds of dirt will have a negative effect on the durability of the tool.



Pull the pounder out the holder and fill in the steel balls (not more than 12).



Make sure that all 12 balls roll into the small hole. If necessary, shake the tool a little bit.



As soon as all the balls have rolled in the little hole, the pounder can be re-inserted.



Insert the pounder carefully and the tool is ready for use. If too much pressure is applied, the balls are pressed out at the bottom at the tool. Handle with care!

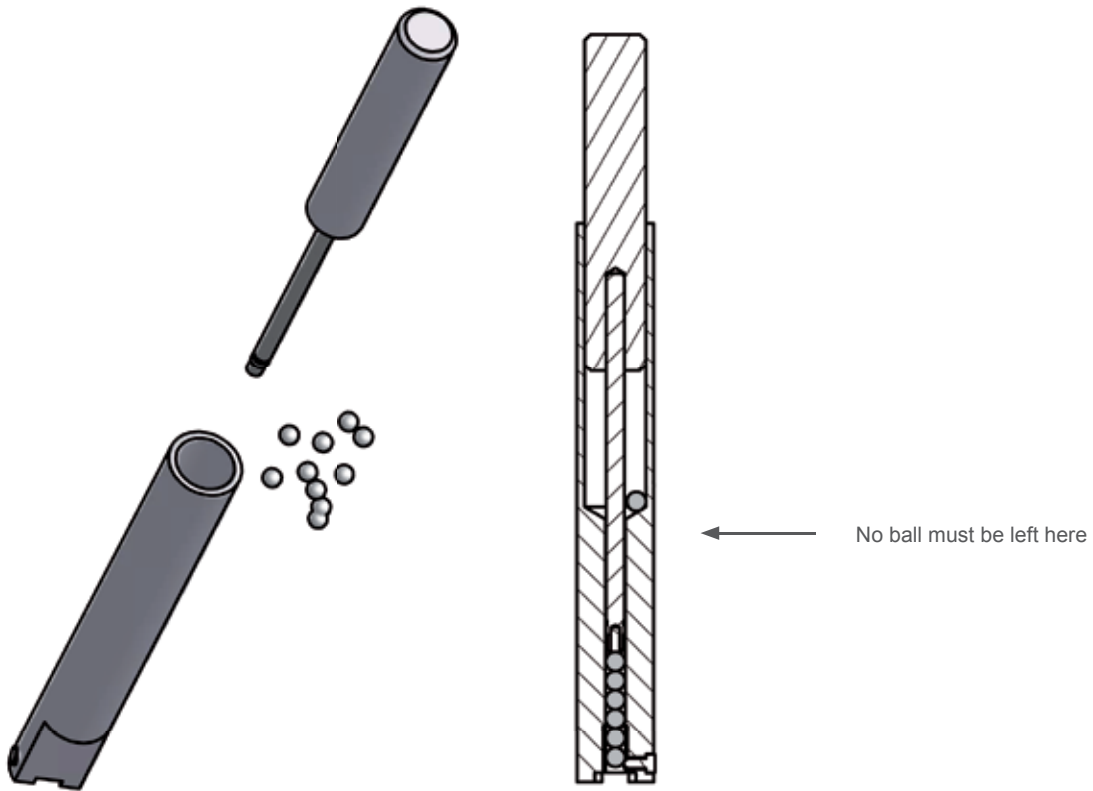


Apply the tool with the milling groove on the screw.



Hammer in the ball using a **plastic hammer**. The head of the pounder is made of aluminum and thus is not suitable for steel hammer operations.





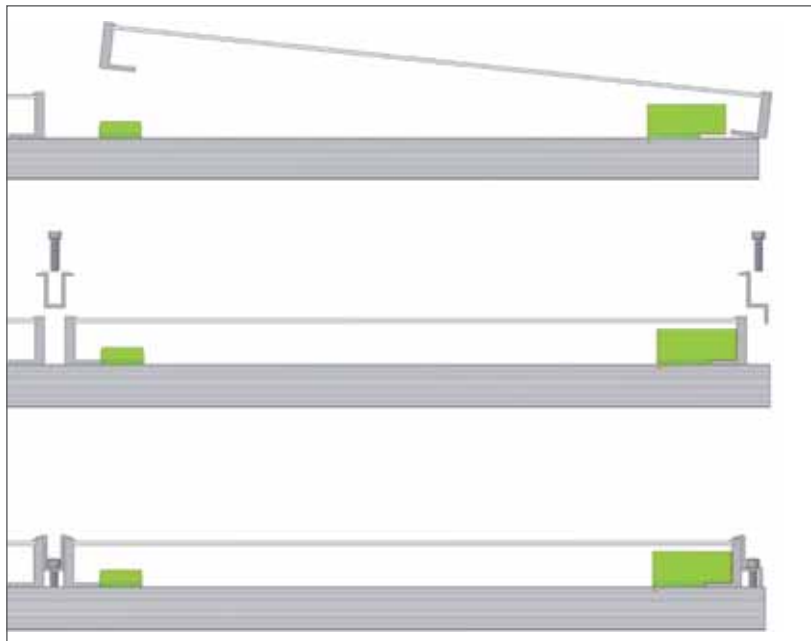
Schletter SecuFix2 gives you even better protection!

Of course, any mechanical anti-theft device can only make theft more difficult, but cannot make it completely impossible. Thus, in any case a combination of several measures is recommendable if photovoltaic plants are installed in more or less hidden areas. If modules are laid in a row, normal screw securing devices (pull-off screws or also SecuFix balls) can be sidestepped using a certain "brute force" by destroying the end clamps of the module rows.

The SecuFix-2 system is an additional measure that makes unmounting even more difficult and thus makes theft more difficult or even impedes it.

Using a special additional kit, the first module of each row is additionally secured from below (see sketch). With this special kind of mounting, the first module is still secured if the end clamps are purposefully destroyed! Unmounting would only be possible by destroying the first middle clamp, but this clamp is well protected in between two modules. Thus, the first module could only be removed if the frame was destroyed first.

SecuFix-2 is an ideal completion of the SecuFix system resulting in an additional protection from theft, which means extra protection for your solar plant.



Also in this case, the compilation of the plant is carried out using our auto-calculator. Please consider that the modules must have a suitable L-shaped frame.