

Rapid cross connector

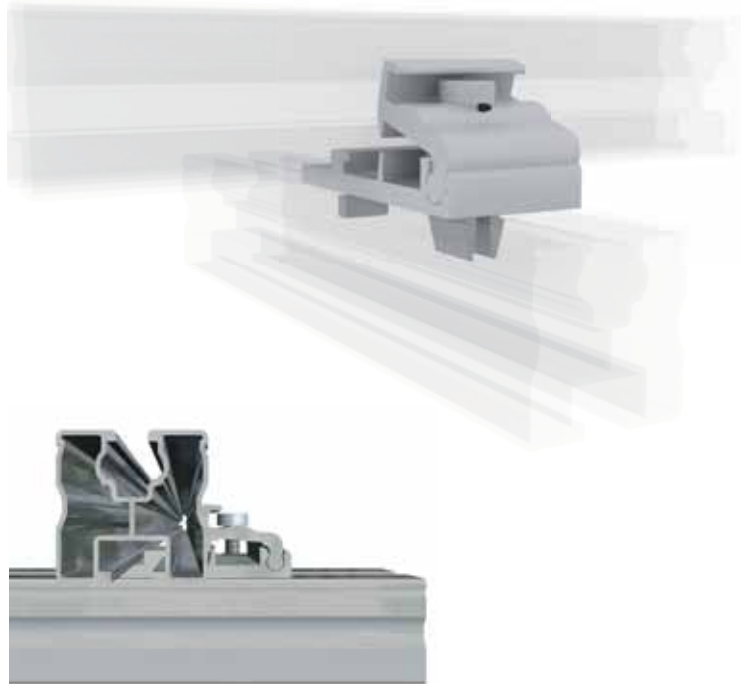
The convenient way to connect overlapping rails

- Economically priced, quick and safe
- Can be assembled from above
- No additional tools required



The **Rapid cross connector** can be fastened to any rail which has a Schletter-Klick channel M8. One central fastening point with a single bolt guarantees quick assembly. The distribution of forces is structurally optimized by the new hook-in and clamp technique, to ensure that profiles cannot be twisted due to unsymmetrical loads.

All benefits of the Rapid system can now also be leveraged by the cross rail system!



① Hook in laterally and twist.



② Click in!



③ Position the rail and bolt together from above.

Contrary to its predecessor, the **Rapid cross connector** (item no. 129063-000) is delivered completely pre-assembled, thus keeping the assembly effort to a minimum.

Further information and warranty declaration at www.schletter.com.au

*in accordance with our General Terms and Conditions of Sale and Supply (www.schletter.com.au/AGB)
Subject to changes and/or technical modifications.