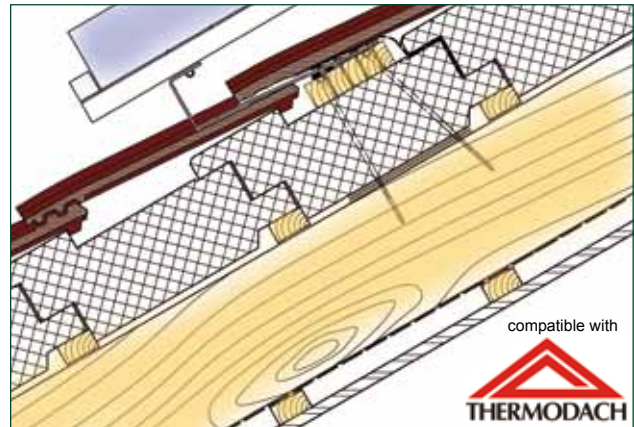


Thermodach - roof hook mounting

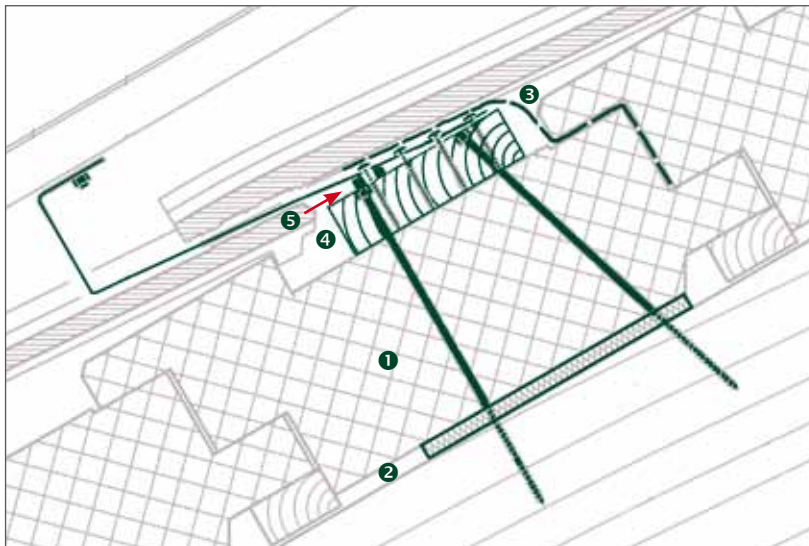
Mounting instruction

Besides this mounting instruction, please also make use of our further helpful information about the individual components and systems on our website www.schletter.eu. If you have any further questions, we will be glad to assist you.



Mounting of the roof hooks

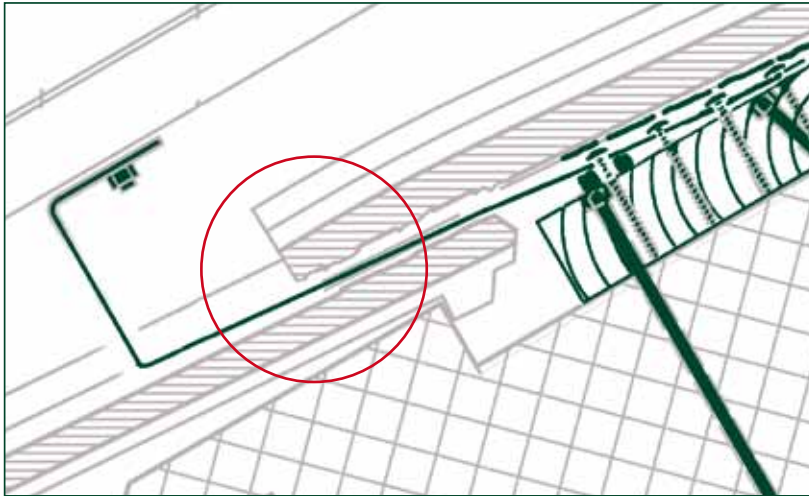
With the Thermodach (thermal roof) „Universal Plus“, the insulation elements are directly beneath the roof tiles. The mounting of the roof hooks is carried out on a timber plank (150/40 mm) without load transmission to the tile below. The fastening of the timber plank is carried out using 2 long roof construction screws that are screwed into the roof rafter. The specific kind of fastening and the number of fasteners are determined on the basis of the design structural analysis. Further information are available at www.thermodach.de.



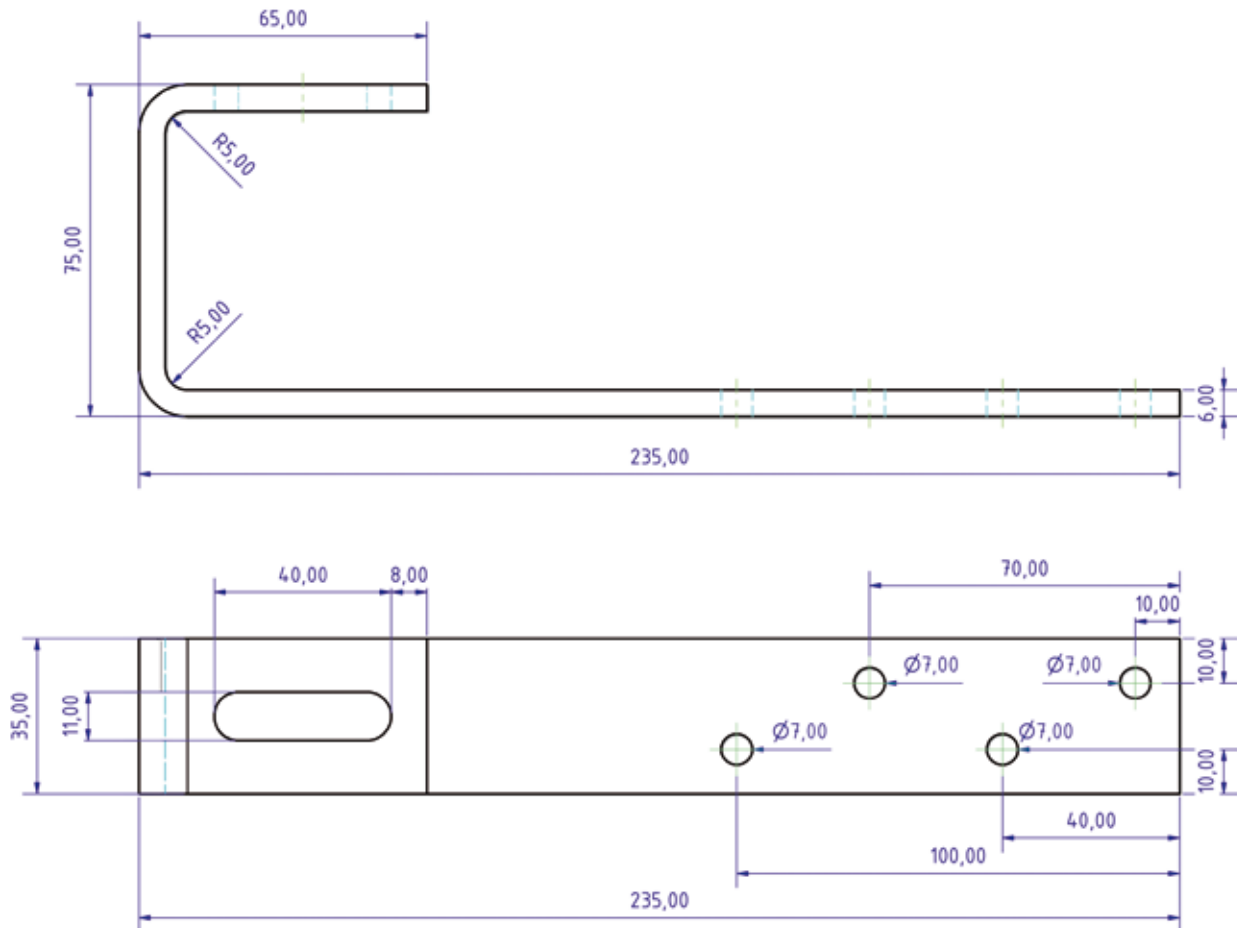
5 Mount the roof hook with 4 wood screws with a minimum size of 6x50 mm. A gap of at least 2 mm should remain between the roof tile and the roof hook. For this purpose, utilize distance pieces depending on the respective tile form. In case of distance mounting using distance pieces, accordingly longer screws have to be utilized (The minimum anchoring depth in the timber plank is 40 mm).

- 1 Lift the roof tile and the Thermodach Universal Plus insulation element if possible.
- 2 Insert a wooden pressure underlayment with a maximum thickness of 10 mm or PU-foam.
- 3 Insert the foil strips overlappingly and re-install the Thermodach element.
- 4 Insert the timber plank 150/40 mm and fasten it to the rafter beneath using 2 roof construction screws at angles of 90° and 67°. Determine the length of the screws according to the design structural analysis and the Thermodach Universal Plus installation chart.

More information at www.thermodach.de.



6 If necessary, grind off a part of the covering tile, so that the tile and the roof hook will fit.



Please find further information on our systems on our website: www.schletter.eu in the download sector of the solar area.